



Utilizing either front flanged or "U" clamp cases, these attractive panel mount gauges can be flush mounted on instrument panels, pressure test stands, and many other types of equipment. Where a minimum of space is available the 844 "U" clamp series is more desirable. When it is desirable to mount the gauge from the front of panel, the 845 front flanged series may be specified. All models utilize a unique one piece plastic threaded ring and window which can be removed, permitting in-panel pointer adjustment. Optional stainless steel bourdon tube and socket for use where the pressure medium is corrosive to copper alloys.



General Panel Mount Gauges

P844U and V844U, P845FF and V845FF

SPECIFICATIONS

SIZE: 2, 2-1/2", 3-1/2".

CASE:

844: Drawn steel, with studs, U-clamp and nuts, black corrosion-resistant paint, furnished with two piece U-clamp and nuts, zinc plated.

845: Drawn steel with three hole flange, black corrosion-resistant paint.

RING & WINDOW: Threaded, polycarbonate.

POINTER: Aluminum, adjustable, black finish.

DIAL: Steel, white background with black markings. Utilizes the "zero band" concept where the zero graduation and numeral are replaced with a band representing the total accuracy tolerance at zero.

MOVEMENT: Brass.

BOURDON TUBE: Pressure ranges above 15 psi up to and including 1000 psi are phosphor bronze, soft

soldered. 2000 and 3000 psi are phosphor bronze, silver soldered. Vacuum and 15 psi are beryllium copper, soft soldered.

CONNECTION: CBM, brass.

1/8" ANPT: 2" and 2-1/2" up to 600 psi.

1/4" ANPT: 2-1/2" 1000 psi and above and all 3-1/2".

RANGE:

V844U, V845FF: 30" Hg.Vac.

P844U, P845FF: 15, 30, 60, 100, 160**, 200, 300, 400**, 600, 1000*, 2000*, 3000* psi.

ACCURACY: ± 3-2-3% of span.

WEIGHT:

2" P, V844U: 7 oz. maximum

2" P, V845FF: 6 oz. maximum

2-1/2" P, V844U: 9 oz. maximum

2-1/2" P, V845FF: 7 oz. maximum

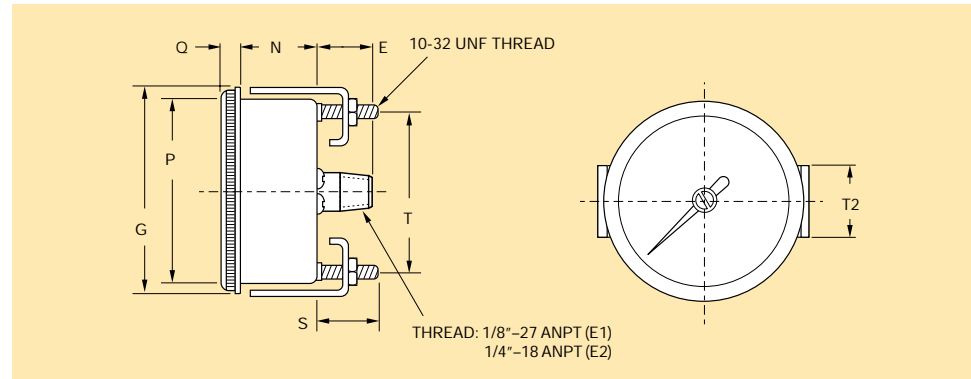
3-1/2" P, V844U: 12 oz. maximum

3-1/2" P, V845FF: 13 oz. maximum.

* 2-1/2" P844U only

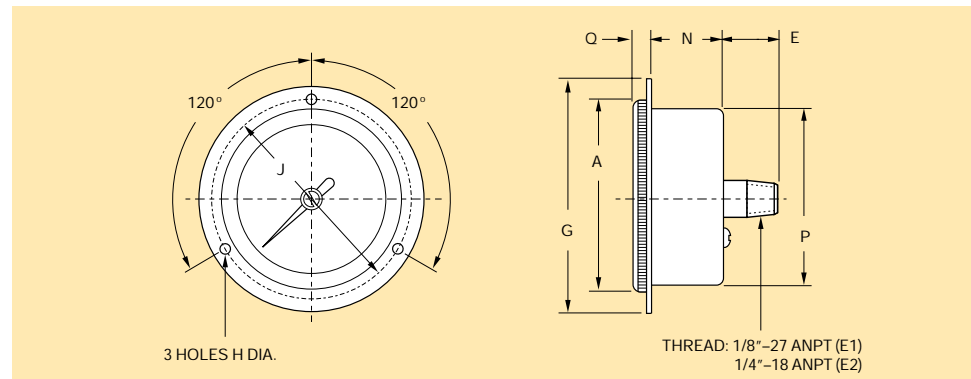
** 2", 2-1/2" only

DIMENSIONS



MODELS P844U, V844U

DIAL SIZE	E1	E2	G	H	P	Q	S	T	T2
2"	.71	-	2.28	1.09	2.12	.24	.81	1.62	.75
2-1/2"	.71	.77	2.81	1.09	2.59	.30	.81	2.20	.75
3-1/2"	-	.75	3.94	1.09	3.69	.32	.81	3.25	.75



MODELS P845FF, V845FF

DIAL SIZE	A	E1	E2	G	H	J	N	P	Q
2"	2.25	.71	-	2.81	.156	2.562	1.09	2.12	.24
2-1/2"	2.80	.71	-	3.53	.156	3.125	1.09	2.59	.30
3-1/2"	3.88	-	.75	4.84	.219	4.250	1.09	3.69	.32